

robinet vanne

gate valve

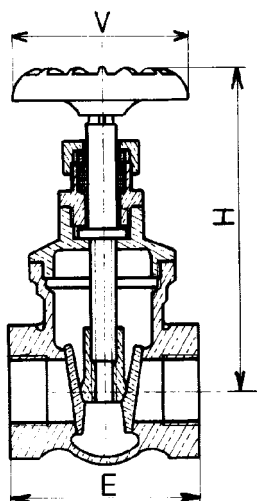
RV 41215
04 / 99

bronze
bronze

tige non montante
non rising stem

PMA - WP
20 bar

DN 8/13 → DN 80/90

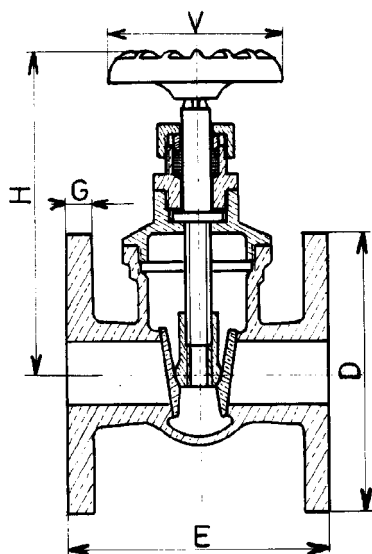


type 180

Construction tout bronze
Obturbateur double opercule
Manchons taraudés
Pression de service:
PMA (20°C): 20 bar

All bronze valve
Double wedge disc
Threaded ends
Maximum working pressure:
WP (20°C): 20 bar

DN	8/13	12/17	15/21	20/27	26/34	33/42	40/49	50/60	66/76	80/90
Pouces Inch	1/4"	3/8"	1/2"	3/4"	1"	1"1/4	1"1/2	2"	2"1/2	3"
E	37	40	44	50	55	62	65	72	96	112
H	78	79	84	95	105	124	130	147	190	225
V	50	50	50	60	60	70	70	80	110	110
Poids Weight	0.22 Kg	0.25 Kg	0.32 Kg	0.5 Kg	0.65 Kg	1.1 Kg	1.2 Kg	1.7 Kg	4.25 Kg	6.5 Kg

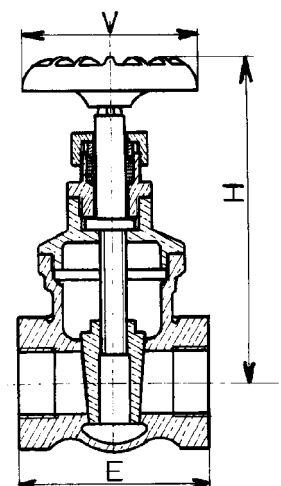


type 4001

Construction tout bronze, à brides
Obturbateur double opercule
Brides ISO 5752 série 18
Pression de service:
PMA (20°C): 20 bar

All bronze valve, double flanged
Double wedge disc
Flanges ISO 5752 serie 18
Maximum working pressure:
WP (20°C): 20 bar

DN	15	20	25	40 à / to 200
D	95	105	115	voir type 3089 see 3089 type
E	80	90	100	
H	84	95	105	
V	50	60	70	
Poids Weight	1.5 Kg	2.1 Kg	2.9 Kg	



type 4002

Construction tout bronze
Obturbateur simple opercule
Manchons taraudés
Pression de service:
PMA (20°C): 20 bar

All bronze valve
Single wedge disc
Threaded ends
Maximum working pressure:
WP (20°C): 20 bar

DN	8/13	12/17	15/21	20/27	26/34	33/42	40/49	50/60
Pouces Inch	1/4"	3/8"	1/2"	3/4"	1"	1"1/4	1"1/2	2"
E	43	45	50	58	68	76	80	90
H	83	83	84	92	112	119	135	158
V	50	50	50	60	70	70	80	90
Poids Weight	0.3 Kg	0.3 Kg	0.4 Kg	0.6 Kg	1 Kg	1.4 Kg	1.9 Kg	2.9 Kg