

robinet papillon

butterfly valve type 2622 AWWA

RP 21160

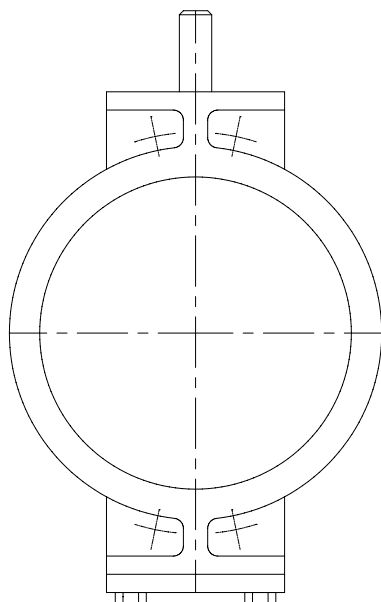
03 / 01

double excentration
double offset

entre brides
wafer

PMA - WP
4 bar

DN 100 DN 1200



Conception:

Robinet papillon à double excentration, type entre brides

- DN 100 DN 600 siège démontable en élastomère fixé sur le corps
- DN 700 DN 1200 bague démontable en inox sur l'obturateur
- DN 700 DN 1200 joint démontable en élastomère fixé sur l'obturateur
- DN 700 DN 1200 siège démontable en inox fixé sur le corps
- 4 trous taraudés pour centrage (DN 450)

Design:

Double offset butterfly valve, wafer type

- DN 100 DN 600 removable rubber seat fitted in body
- DN 100 DN 600 removable stainless steel ring fitted on the edge of the disc
- DN 700 DN 1200 removable rubber seal ring fitted on the edge of the disc
- DN 700 DN 1200 removable stainless steel seat fitted in body
- 4 threaded holes for centring (DN 450)

Montage entre brides - Etanchéité Inox / Elastomère
Wafer type to fit between flanges - Rubber / Stainless Steel seating surface

Pression maximale admissible (PMA à 20°C) - *Maximum working pressure (WP 20°C)*

DN 100 DN 1200 : 4 bar

Essais :

Toute notre robinetterie subit un contrôle unitaire en nos ateliers suivant la norme ISO 5208:

- essai du siège = 1.1 x PMA
- essai du corps = 1.5 x PMA
- fluide d'essai: eau
- taux de fuite: A (100% étanche)

Sur demande :

- corps et/ou obturateur en FGS 500-7
- bague de maintien du siège ou du joint en inox
- montage entre brides répondant à d'autres normes

Tests :

Each valve is tested in our facilities according to ISO 5208 standard :

- seat = 1.1 x WP
- body = 1.5 x WP
- test carried out with water
- leak rate: A (100% water tight)

On request :

- body and/or disc in ductile iron GGG-50
- seal ring retainer in stainless steel
- fitting between flanges according to different standards



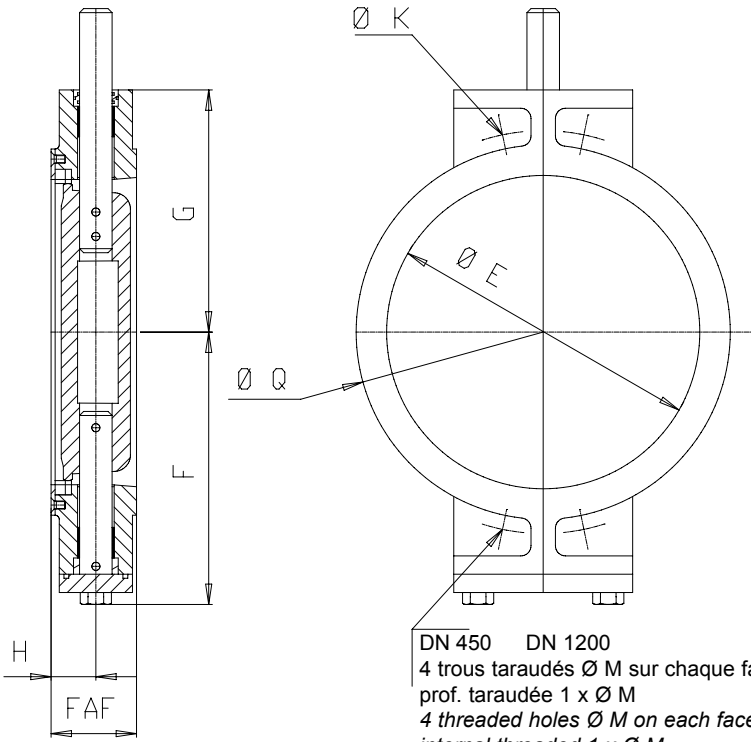
Vannes Lefebvre - Miroux

B.P. 45 - Avenue de Lassus - 59481 HAUBOURDIN cedex France

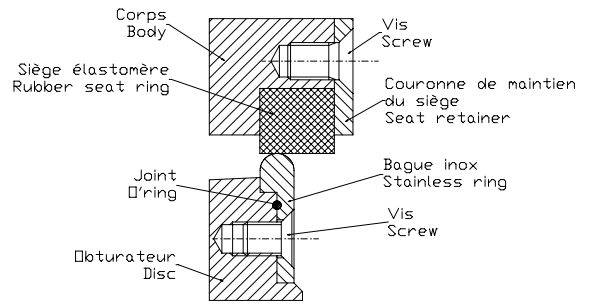
Tel : (33) 03 20 17 51 00 - Fax : (33) 03 20 17 51 01

<http://www.lefebvre.fr> - contact@lefebvre.fr

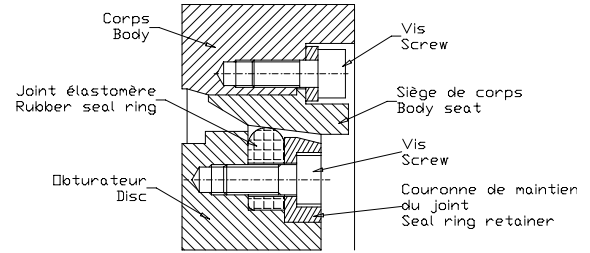
DN 100 DN 1200



DN 450 DN 1200
4 trous taraudés Ø M sur chaque face
prof. taraudée 1 x Ø M
4 threaded holes Ø M on each face
internal threaded 1 x Ø M



DN 100 DN 600



DN 700 DN 1200

Dimensions : (mm)

| DN | 100 | 125 | 150 | 200 | 250 | 300 | 350 | 400 | 450 | 500 | 600 | 700 | 800 | 900 | 1000 | 1200 |
|-----------------|--------|---------|-------|-------|-------|-------|-------|-------|--------|--------|--------|--------|--------|--------|--------|--------|
| Ø E | 98 | 125 | 150 | 200 | 247 | 295 | 327 | 378 | 428 | 480 | 575 | 676 | 775 | 875 | 975 | 1175 |
| FAF | 60 | 68 | 74 | 78 | 84 | 90 | 98 | 106 | 119 | 131 | 154 | 165 | 190 | 203 | 216 | 254 |
| F | 143 | 153 | 170 | 218 | 249 | 288 | 312 | 349 | 374 | 409 | 520 | 570 | 630 | 655 | 715 | 815 |
| G | 120 | 130 | 147 | 185 | 216 | 255 | 273 | 310 | 335 | 370 | 475 | 525 | 585 | 645 | 705 | 865 |
| H | 32 | 36 | 39 | 41 | 44 | 47 | 51 | 55 | 61 | 67 | 79 | 83 | 95 | 102 | 108 | 127 |
| Ø K | | | | | | | | | 565 | 620 | 725 | 840 | 950 | 1050 | 1160 | 1380 |
| Ø M | | | | | | | | | M24 | M24 | M27 | M27 | M30 | M30 | M33 | M36 |
| Ø Q | 160 | 190 | 216 | 270 | 320 | 375 | 436 | 480 | 535 | 592 | 690 | 800 | 900 | 1005 | 1110 | 1330 |
| Poids Weight | 8.5 Kg | 11.5 Kg | 16 Kg | 27 Kg | 36 Kg | 50 Kg | 79 Kg | 98 Kg | 131 Kg | 169 Kg | 335 Kg | 413 Kg | 505 Kg | 506 Kg | 671 Kg | 933 Kg |

06/04/99

Matériaux - Materials :

| | DN 100 | DN 600 | DN 700 | DN 800 | DN 900 | DN 1200 |
|------------------------------------------|----------------------------------------|----------------------------------------|----------------------------------------|----------------------------------------|----------------------------------------|----------------------------------------|
| Corps Body | FGL 250 Cast iron GG-25 | FGL 250 Cast iron GG-25 | FGL 250 Cast iron GG-25 | FGL 250 Cast iron GG-25 | FGS 500-7 Ductile iron GGG-50 | FGS 500-7 Ductile iron GGG-50 |
| Obturateur Disc | FGL 250 Cast iron GG-25 | FGL 250 Cast iron GG-25 | FGL 250 Cast iron GG-25 | FGL 250 Cast iron GG-25 | FGS 500-7 Ductile iron GGG-50 | FGS 500-7 Ductile iron GGG-50 |
| Arbre Shaft | Acier inox AISI 304 Stainless Steel | Acier inox AISI 304 Stainless Steel | Acier inox AISI 304 Stainless Steel | Acier inox AISI 304 Stainless Steel | Acier inox AISI 304 Stainless Steel | Acier inox AISI 304 Stainless Steel |
| Siège rapporté de corps Body seat | Elastomère Rubber | Elastomère Rubber | Acier inox AISI 304 Stainless Steel | Acier inox AISI 304 Stainless Steel | Acier inox AISI 304 Stainless Steel | Acier inox AISI 304 Stainless Steel |
| Siège rapporté d'obturateur Disc seat | Acier inox AISI 304 Stainless Steel | Acier inox AISI 304 Stainless Steel | Elastomère Rubber | Elastomère Rubber | Elastomère Rubber | Elastomère Rubber |
| Coussinets Bearing | Autolubrifiant Self lubricating | Autolubrifiant Self lubricating | Autolubrifiant Self lubricating | Autolubrifiant Self lubricating | Autolubrifiant Self lubricating | Autolubrifiant Self lubricating |
| Visserie intérieure Internal screw | Acier inox Stainless Steel | Acier inox Stainless Steel | Acier inox Stainless Steel | Acier inox Stainless Steel | Acier inox Stainless Steel | Acier inox Stainless Steel |
| Visserie extérieure External screw | Acier Steel | Acier Steel | Acier Steel | Acier Steel | Acier Steel | Acier Steel |
| | | | | | | |
| | | | | | | |

Conditions de service :

Pression maximale admissible en fonction de la température de service.

Service rating :

Maximum working pressure according to working temperature.

| t° service - working t° | | PMA - WP |
|-------------------------|-------|----------|
| -10°C | 120°C | 4 bar |
| | | |
| | | |
| | | |