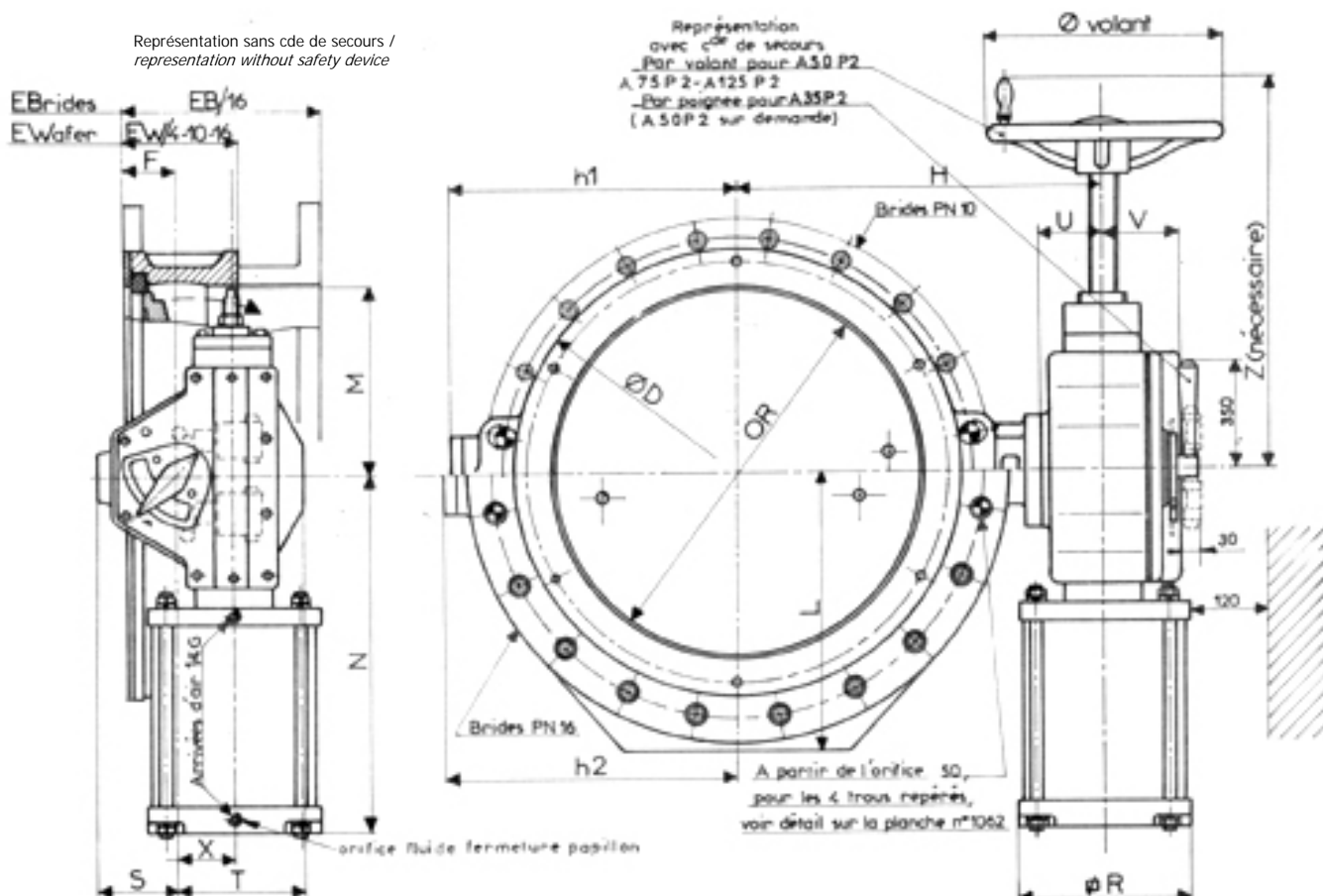


# vanne papillon avec vérin double effet

## butterfly valve with double acting actuator

### LEFEBVRE TYPE 310 from A35P2 to A125P2

ACTIONNEUR PNEUMATIQUE DOUBLE EFFET, TYPE LEFEBVRE / PNEUMATIC ACTUATING DOUBLE EFFECT, LEFEBVRE TYPE



\*Nota : écarts spéciaux en 4 bars pour DN 600, 700 et 800, consulter planche n°1062

\*Nota : special separations in 4 bars for DN600, 700 and 800, see PL1062

| Dimension VANNE / VALVE |     |     |     |     |     |     |     |     |     |     |      |      |      |            |
|-------------------------|-----|-----|-----|-----|-----|-----|-----|-----|-----|-----|------|------|------|------------|
| DN                      | 100 | 125 | 150 | 200 | 250 | 300 | 350 | 400 | 450 | 500 | 600  | 700  | 800  |            |
| DN (pouces)             | 4"  | 5"  | 6"  | 8"  | 10" | 12" | 14" | 16" | 18" | 20" | 24"  | 28"  | 32"  |            |
| EW/4-10-16              | 65  | 70  | 75  | 80  | 100 | 115 | 125 | 140 | 150 | 150 | *180 | *220 | *230 | *Voir nota |
| EB/16                   | 190 | 200 | 210 | 230 | 250 | 270 | 290 | 310 | 330 | 350 | 390  | 430  | 470  |            |
| F                       | 38  | 38  | 41  | 41  | 47  | 47  | 58  | 58  | 70  | 70  | 80   | 85   | 90   |            |
| H                       | 132 | 145 | 170 | 205 | 235 | 280 | 310 | 330 | 370 | 400 | 495  | 540  | 640  |            |
| h1                      | 130 | 140 | 155 | 180 | 220 | 240 | 280 | 305 | 350 | 380 | 450  | 515  | 550  |            |
| h2                      | 130 | 140 | 160 | 195 | 230 | 250 | 290 | 315 | 365 | 395 | 475  | 525  | 580  |            |
| D                       | 160 | 191 | 215 | 270 | 325 | 375 | 435 | 485 | 535 | 590 | 690  | 805  | 912  |            |
| L                       |     |     |     |     |     |     |     | 315 | 345 | 385 | 450  | 490  | 550  |            |

| Dimension ACTIONNEUR / ACTUATOR |     |     |     |     |     |     |     | Commande de secours / Safety device |      |                  |                                     |                     |
|---------------------------------|-----|-----|-----|-----|-----|-----|-----|-------------------------------------|------|------------------|-------------------------------------|---------------------|
|                                 | M   | N   | S   | T   | U   | V   | X   | Poids / Weight (kg)                 | Z    | Ø volant / wheel | Nb tours volant / nb turns of wheel | Poids / weight (kg) |
| A35P2                           | 160 | 280 | 70  | 107 | 54  | 63  | 35  | 11                                  |      |                  |                                     | 0,9                 |
| A50P2                           | 210 | 350 | 75  | 132 | 66  | 79  | 50  | 20                                  | 620  | 250              | 28                                  | 10,5                |
| A75P2                           | 270 | 520 | 104 | 177 | 85  | 100 | 75  | 36                                  | 780  | 315              | 42                                  | 11,5                |
| A125P2                          | 390 | 680 | 150 | 280 | 108 | 123 | 125 | 87                                  | 1200 | 400              | 31                                  | 18                  |

| Dimension VERIN / ACTUATOR |     |     |     |      |      |     |      |      |      |      |  |  |
|----------------------------|-----|-----|-----|------|------|-----|------|------|------|------|--|--|
| Alésage P                  | 63  | 80  | 100 | 125  | 160  | 200 | 250  | 300  | 350  | 400  |  |  |
| R                          | 90  | 100 | 120 | 150  | 190  | 230 | Ø325 | Ø380 | Ø435 | Ø490 |  |  |
| Poids / Weight (kg)        | 3,2 | 4,2 | 5,7 | 14,5 | 24,5 | 33  | 58,5 | 96   | 132  | 156  |  |  |

Vannes

Lefebvre – Miroux - B.P. 45 - av. De Lassus – 59481 HAUBOURDIN CEDEX FRANCE  
Tel (33) 03 20 17 51 00 – Fax (33) 03 20 17 51 01 - [www.lefebvre.fr](http://www.lefebvre.fr) - [contact@lefebvre.fr](mailto:contact@lefebvre.fr)